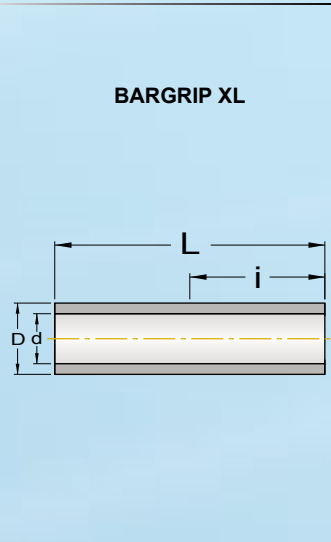
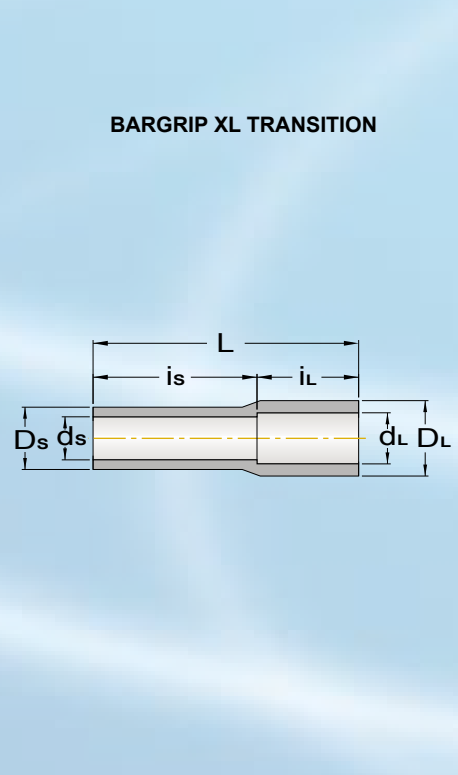


BARGRIP® DATA SHEET — Dimensions and Data [inch-pound units]

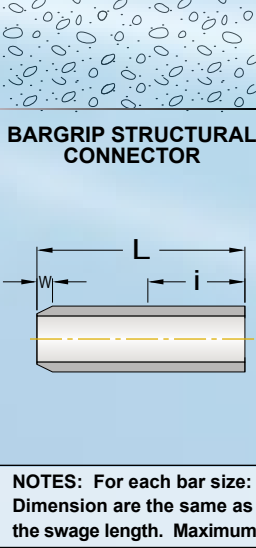
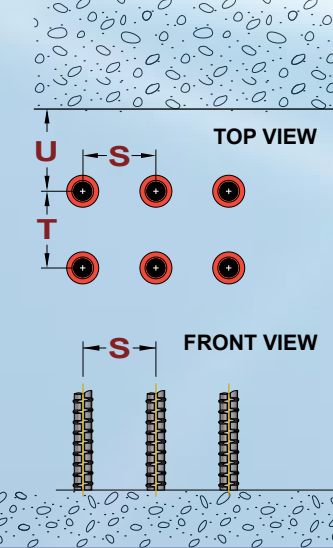
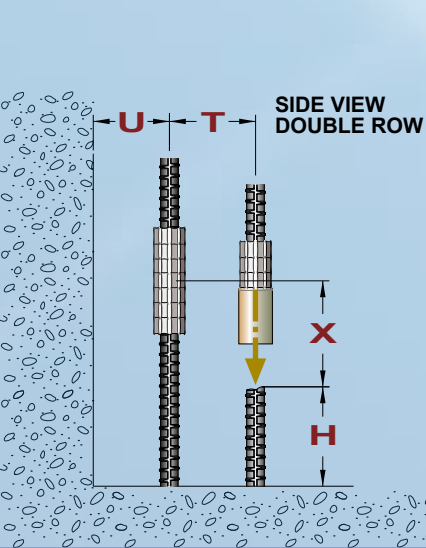
[see splicing manual (SM02) for more details]



BarGrip XL				Color Code	Outside Dia. 'D' (in)	Inside Dia. 'd' (in)	Insertion Bar 'i' (in)	Press Model	'H' (in)	'S' (in)	'T' (in)	'X' (in)	'U' (in)
Rebar Size (US)	Product Code	Length 'L' (in)	Weight (lb)										
3	3XL	3 1/4	0.26	Orange	3/4	1/2	1 5/8	BG 250	3 1/4	1 5/8	2	4 5/8	2 1/4
4	4XL	4	0.40	Pink	15/16	5/8	2		3 3/4	1 3/4	2 1/8	5	2 3/8
5	5XL	4 3/4	0.69	Red	1 1/8	3/4	2 3/8		4 1/4	1 7/8	2 1/4	6 3/4	2 1/2
6	6XL	5 1/2	1.25	Yellow	1 3/8	15/16	2 3/4	BG 400	5 5/8	3	4 1/4	7 5/8	5 1/4
7	7XL	6 1/4	1.76	Blue	1 9/16	1 1/16	3 1/8		6 1/4	3	4 1/2	8 3/4	5 1/2
8	8XL	7	2.57	Black	1 3/4	1 3/16	3 1/2	BG 750	6 3/4	3 1/4	4 1/2	9 1/2	5 1/2
9	9XL	7 1/2	3.30	Red	1 15/16	1 3/8	3 3/4		7 1/2	3 1/4	5 1/4	11 1/2	6 1/4
10	10XL	8 1/4	4.52	Yellow	2 3/16	1 1/2	4 1/8		8	3 1/2	5 1/2	12 1/2	6 1/2
11	11XL	9	5.73	Blue	2 3/8	1 11/16	4 1/2	BG 1140	8 5/8	3 1/2	5 3/4	13 1/8	6 1/2
14	14XL	11	11.9	Pink	2 15/16	1 15/16	5 1/2		10 3/8	4 3/4	7	15 1/8	9
18	18XL	14	24.1	Red	3 13/16	2 5/8	7	13	5 1/4	8	20 3/4	9 1/2	



XL Transition					Rebar Insertion		Outside Diameter		Inside Diameter	
Rebar Size (US)	Product Code	Color Code	Length 'L' (in)	Weight (lb)	'iL' (in)	'is' (in)	'DL' (in)	'Ds' (in)	'dL' (in)	'ds' (in)
5/4	5/4XL	See BarGrip Color Codes above	3 7/16	0.38	1 3/8	2 1/16	1 1/16	7/8	3/4	5/8
6/5	6/5XL		4 1/16	0.72	1 9/16	2 1/2	1 3/8	1 1/16	15/16	3/4
7/6	7/6XL		4 3/4	1.20	2 1/16	2 1/16	1 9/16	1 3/8	1 1/16	15/16
8/6	8/6XL		5 3/8	1.72	2 1/2	2 7/8	1 3/4	1 3/8	1 3/16	15/16
8/7	8/7XL		5 3/8	1.75	2 1/2	2 7/8	1 3/4	1 9/16	1 3/16	1 1/16
9/7	9/7XL		6 1/8	1.90	2 7/8	3 1/4	1 15/16	1 9/16	1 5/16	1 1/16
9/8	9/8XL		6 1/8	2.50	2 7/8	3 1/4	1 15/16	1 3/4	1 5/16	1 3/16
10/8	10/8XL		6 7/8	3.50	2 15/16	3 15/16	2 3/16	1 3/4	1 1/2	1 3/16
10/9	10/9XL		6 7/8	3.52	3 1/16	3 13/16	2 3/16	1 15/16	1 1/2	1 5/16
11/8	11/8XL		7 1/4	3.79	2 5/8	4 5/8	2 3/8	1 3/4	1 5/8	1 3/16
11/9	11/9XL		7 1/4	3.95	3 1/8	4 1/8	2 3/8	1 15/16	1 5/8	1 5/16
11/10	11/10XL		7 1/4	4.38	3 1/4	4	2 3/8	2 3/16	1 5/8	1 1/2
14/10	14/10XL		8 7/8	6.90	3 5/8	5 1/4	2 7/8	2 3/16	1 15/16	1 1/2
14/11	14/11XL		8 7/8	7.05	3 5/8	5 1/4	2 7/8	2 3/8	1 15/16	1 5/8
18/11	18/11XL		11 9/16	14.6	4 1/8	7 7/16	3 13/16	2 3/8	2 5/8	1 5/8
18/14	18/14XL		11 9/16	16.7	4 3/8	7 3/16	3 13/16	2 7/8	2 5/8	1 15/16

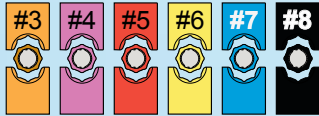


Structural Connector				Minimum Insertion* 'i' (in)	Weld Bevel Length 'W' (in)
Rebar Size (US)	Product Code	Length 'L' (in)	Weight (lb)		
3	3LB	3 1/4	0.26	1	3/16
4	4LB	4	0.40	1 1/4	3/16
5	5LB	4 3/4	0.68	1 5/8	1/4
6	6LB	5 1/2	1.23	1 7/8	1/4
7	7LB	6 1/4	1.72	2 1/4	5/16
8	8LB	7	2.50	2 1/2	3/8
9	9LB	7 1/2	3.20	2 3/4	7/16
10	10LB	8 1/4	4.40	3 1/8	1/2
11	11LB	9	5.55	3 1/2	9/16
14	14LB	11	11.6	4 1/2	11/16
18	18LB	14	23.5	6 1/8	7/8

NOTES: For each bar size: Color Code, Outside Diameter, Inside Diameter and 'L' Dimension are the same as for BarGrip XL above. * Minimum Rebar Insertion equals the swage length. Maximum Rebar Insertion equals the coupler length.

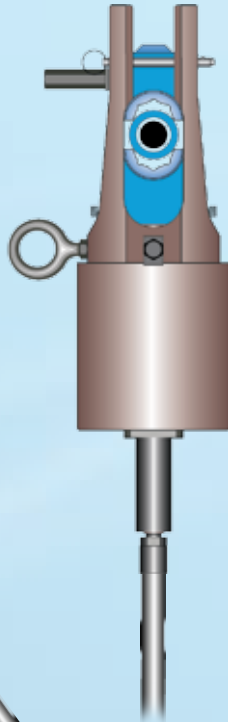
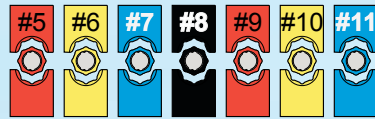
BG400

COMPACT FIELD PRESS
60 lbs
mostly used on #6, #7, #8 bar



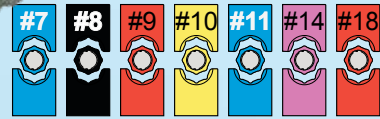
BG750M MIDSIZE FIELD PRESS

90 lbs
mostly used on
#8, #9, #10, #11 bar



BG1140M

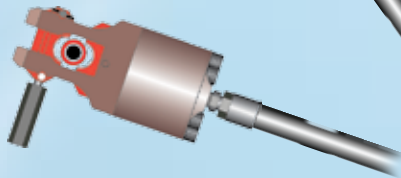
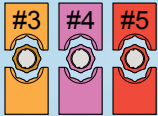
HEAVY-DUTY FIELD PRESS
200 lbs
mostly used on
#10, #11, #14, #18 bar



BG250

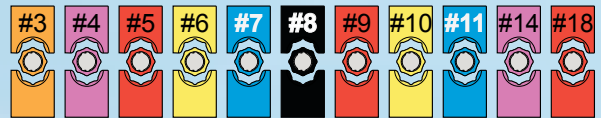
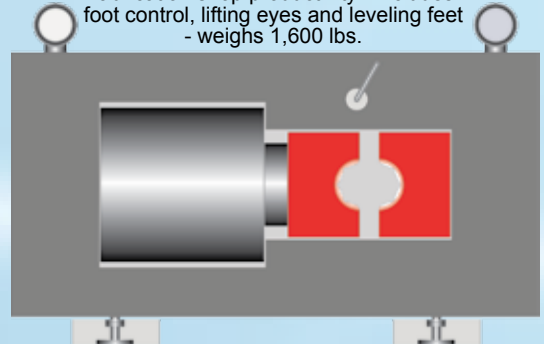
MINI FIELD PRESS
20 lbs

mostly used on #4, #5 bar



BP2600

Bench press for 1/2-swaging all bar sizes up to US #18. Double acting cylinder connected to 10 or 15 hp pump for high fabrication shop productivity - includes foot control, lifting eyes and leveling feet - weighs 1,600 lbs.



BPI® swaging equipment for the installation of coupling sleeves and connectors consists of a hydraulic **PRESS**, **PUMP** and **HOSE** with suitable swaging **DIES**.

Press models for field swaging range in size from the BG 250 for splicing #3 – 5 rebars (Ø10 – 16 mm), to the BG 1140M for splicing bars up to #18 (Ø57 mm). Each press is provided with a lifting handle and/or lifting eye for support. By a simple change of die set, each press is capable of swaging multiple sizes of coupling sleeve inclusive of BarGrip XL, Transitions and Structural Connectors. For ease of use, dies and coupling sleeves are stamped and color-coded to match.

A hydraulic pump, electrically-driven or gasoline-driven, connects to the press by means of a hose with quick-disconnect ends. The equipment operator depresses a foot control to actuate the system. As the ram of the press extends and pushes the dies towards each other, a portion of the coupling sleeve is forced to deform around the rebar and interlock with the bar profile. When each swaging bite has been completed, a pressure switch, built into the pump, automatically stops the process to allow the ram of the press to retract for the next bite. *After a coupling sleeve has been fully swaged, the operator simply removes the outer die pin and slides the outer die out of the press for convenient removal of the press from around the spliced rebar.*

A Bench Press can be utilized by the rebar fabricator to efficiently 1/2-swage coupling sleeves to rebars ahead of shipping, thereby saving time on the jobsite.

NOTE: In lieu of shop 1/2-swaging with a Bench Press, it may sometimes be appropriate to use a field press such as a BG1140M or BG750M - contact BPI for assistance with your application.

BPI® Equipment is available for lease or purchase. Equipment must be used in accordance with manuals, lease agreements, manufacturers' directions and all safety instructions.

Pump Model	PE 55	PE 400	PG 400
Driver	1 1/2 HP Electric Motor	10 HP Electric Motor	18 HP Gasoline Engine
Power Supply	115V 1-phase	230V or 460V 3-phase	Battery Start
Weight with fluid	147 lbs (66 kg)	605 lbs (274 kg)	545 lbs (247 kg)
Most common use	Rebar #3 - #11 [Ø10-36mm]	Rebar #9 - #18 [Ø28-57mm]	Rebar #9 - #18 [Ø28-57mm]
Attributes	Compact / Maneuverable	Fast / High volume jobs	No power supply required

While the information contained in this document is believed to be accurate at the time of publication, BPI reserves the right to make changes, design modifications, corrections and other revisions as it sees fit, without notice. All products described herein are supplied in accordance with BPI's standard Terms and Conditions of Sale. This document is of a promotional nature only. Aspects of structural design, evaluation of product fitness for use, suitability or similar attributes are the responsibility of others.



BarSplice Products, Inc., 4900 Webster Street, Dayton OH 45414, USA
 ●Tel: (937) 275-8700 ●Fax: (937) 275-9566 ●E-mail: bar@barsplice.com

Copyright © 2012, Barsplice Products, Inc., "BPI". All rights reserved.

