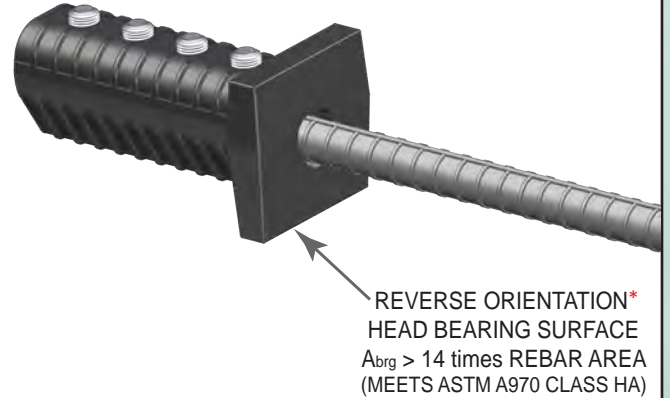
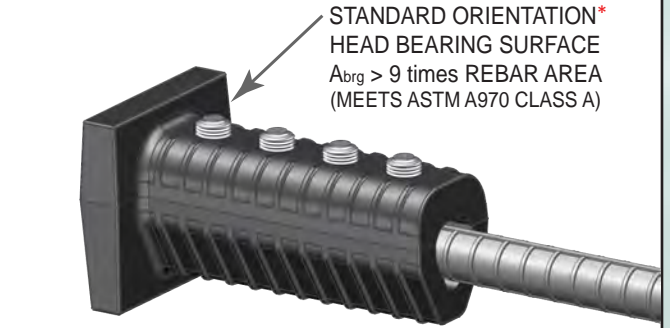


**END VIEW (SIZES #4 - #9)**

**END VIEW (SIZES #10 - #18)**



ZAP T-LOK™		DIMENSIONS & DATA									
REBAR SIZE US [Metric]	PRODUCT CODE	WEIGHT (lb)	LENGTH 'L' (in)	'A' (in)	'B' (in)	'C' (in)	'X' (in)	'S' (in)	'T' (in)	NUMBER OF SCREWS	AVG SCREW TORQUE (ft-lbs)
#4 [13]	0405ZDX	2.9	5	1 1/4	1 1/8	5/8	1 5/8	2 1/2	1/2	4	50
#5 [16]	0405ZDX	2.9	5	1 3/8	1	3/4	1 5/8	2 1/2	1/2	4	50
#6 [19]	0607ZDX	5.7	6 1/2	1 5/8	1 3/8	3/4	1 7/8	3 1/4	5/8	4	100
#7 [22]	0607ZDX	5.7	6 1/2	1 3/8	1 1/4	7/8	1 7/8	3 1/4	5/8	4	100
#8 [25]	0809ZDX	10.8	8 3/8	2	1 3/4	1	2 3/8	4 1/4	3/4	5	200
#9 [29]	0809ZDX	10.8	8 3/8	1 13/16	1 9/16	1 1/8	2 3/8	4 1/4	3/4	5	200
#10 [32]	1011ZDX	18.4	8 1/2	2	1 7/8	1 1/4	2 3/4	5 1/4	1	9	200
#11 [36]	1011ZDX	18.4	8 1/2	1 3/4	1 11/16	1 3/8	2 3/4	5 1/4	1	9	200
#14 [43]	14ZDX	34	10 3/8	2 1/8	2	1 5/8	3 1/2	6 1/4	1 1/4	11	350
#18 [57]	18ZDX	84	18 1/8	2 5/8	2 1/2	2	4 7/8	8	1 3/4	21	350

ALL DIMENSIONS ARE APPROXIMATE

\* $A_{brg}$  = net bearing area of the head in tension. For Zap T-lok,  $A_{brg} > 9 \times$  area of reinforcing bar with connecting body in front of bearing surface (meets ASTM A970 Class A requirements).  $A_{brg} > 14 \times$  area of reinforcing bar with connecting body behind bearing surface (meets ASTM A970 Class HA requirements).

While the information contained in this document is believed to be accurate at the time of publication, BPI reserves the right to make changes, design modifications, corrections and other revisions as it sees fit, without notice. All products described herein are supplied in accordance with BPI's standard Terms and Conditions of Sale. This document is of a promotional nature only. Aspects of structural design, evaluation of product fitness for use, suitability or similar attributes are the responsibility of others.



**DOWNLOAD THE FREE BARSPlice APP  
AND FOLLOW US ON SOCIAL MEDIA!**



Barsplice Products, Inc., 4900 Webster Street, Dayton OH 45414, USA  
Tel: (937) 275-8700 • Fax: (937) 275-9566 • E-mail: bar@barsplice.com

