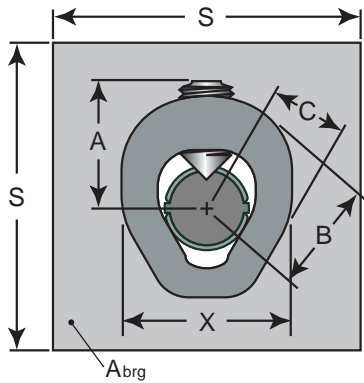
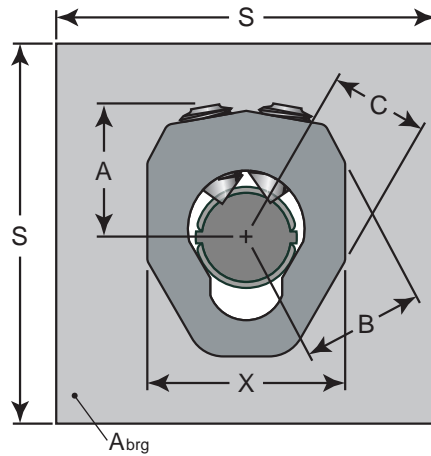


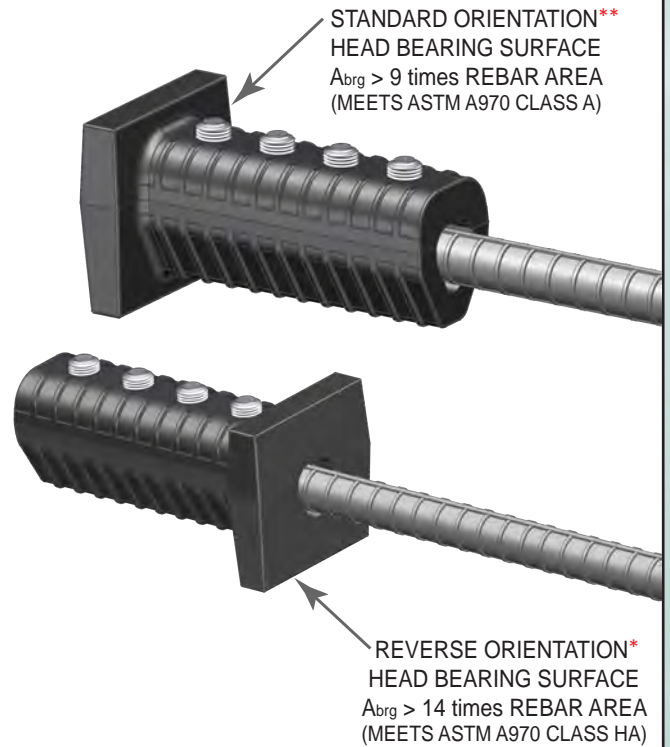
**SIDE VIEW**



**END VIEW (SIZES #4 - #9)**



**END VIEW (SIZES #10 - #18)**



ZAP T-LOK™		DIMENSIONS & DATA									
REBAR SIZE Metric [US]	PRODUCT CODE *	WEIGHT (kg)	LENGTH 'L' (mm)	'A' (mm)	'B' (mm)	'C' (mm)	'X' (mm)	'S' (mm)	'T' (mm)	NUMBER OF SCREWS	AVG SCREW TORQUE (ft-lbs)
12 [#4]	0405ZDX	1.32	127	32	29	16	41	64	13	4	50
16 [#5]	0405ZDX	1.32	127	35	25	19	41	64	13	4	50
20 [#6]	0607ZDX	2.59	165	41	35	19	48	83	16	4	100
22 [#7]	0607ZDX	2.59	165	35	32	22	48	83	16	4	100
25 [#8]	0809ZDX	4.9	213	51	44	25	60	108	19	5	200
29 [#9]	0809ZDX	4.9	213	46	40	29	60	108	19	5	200
32 [#10]	1011ZDX	8.3	216	51	48	32	70	133	25	9	200
36 [#11]	1011ZDX	8.3	216	44	43	35	70	133	25	9	200
38 [#12]	14ZDX	15.4	264	60	52	41	89	159	32	11	350
40 [#13]	14ZDX	15.4	264	57	51	41	89	159	32	11	350
43 [#14]	14ZDX	15.4	264	54	51	41	89	159	32	11	350
50 [#16]	18ZDX	38.1	470	73	67	48	124	203	44	21	350
57 [#18]	18ZDX	38.1	470	67	64	51	124	203	44	21	350

\* EPOXY COATED ALSO AVAILABLE - SUBSTITUTE "ZDXE" FOR "ZDX" IN PART CODE.

ALL DIMENSIONS ARE APPROXIMATE

\*\*  $A_{brg}$  = net bearing area of the head in tension. For Zap T-lok,  $A_{brg} > 9 \times$  area of reinforcing bar with connecting body in front of bearing surface (meets ASTM A970 Class A requirements).  $A_{brg} > 14 \times$  area of reinforcing bar with connecting body behind bearing surface (meets ASTM A970 Class HA requirements).

While the information contained in this document is believed to be accurate at the time of publication, BPI reserves the right to make changes, design modifications, corrections and other revisions as it sees fit, without notice. All products described herein are supplied in accordance with BPI's standard Terms and Conditions of Sale. This document is of a promotional nature only. Aspects of structural design, evaluation of product fitness for use, suitability or similar attributes are the responsibility of others.



**DOWNLOAD THE FREE BARSPLICE APP**  
**AND FOLLOW US ON SOCIAL MEDIA!**



Barsplice Products, Inc., 4900 Webster Street, Dayton OH 45414, USA  
Tel: (937) 275-8700 • Fax: (937) 275-9566 • E-mail: bar@barsplice.com

Copyright © 2019, Barsplice Products, Inc., "BPI". All rights reserved. www.barsplice.com

